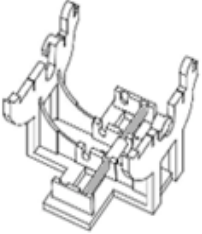
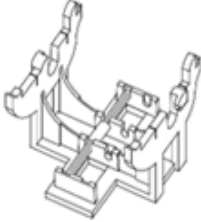
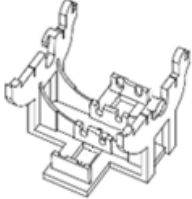



BALANCED COMFORT LIFT

Oct 17 2023

Prices Subject To Change Without Notice

	<p>PTRS-BCL-SR</p>	<p>Balanced Comfort Lift (Right) Short Body (30mm) for Ladder Tape</p> <p>Comes with steel rod & brass roller</p> <p>Use on widths 24" or less Requires short body drum</p>	<p>100/BAG 1,000/BOX</p>
	<p>PTRS-BCL-SL</p>	<p>Balanced Comfort Lift (Left) Short Body (30mm) for Ladder Tape</p> <p>Comes with steel rod & brass roller</p> <p>Use on widths 24" or less Requires wand tilter Requires short body drum</p>	<p>100/BAG 1,000/BOX</p>
	<p>PTRS-BCL-SN</p>	<p>Balanced Comfort Lift Short Body (30mm) No Rod Ladder Only</p> <p>Use on widths 24" or less Requires wand tilter Requires short body drum</p>	<p>100/BAG 1,000/BOX</p>
	<p>LSB-3</p>	<p>Replacement Balanced Comfort Lift Short Body Steel Rod</p> <p>Length 46mm 3.0mm OD</p>	<p>1,000 BAG</p>

BALANCED COMFORT LIFT

Oct 17 2023

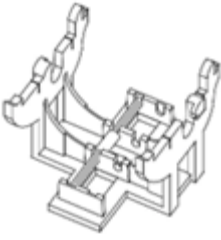
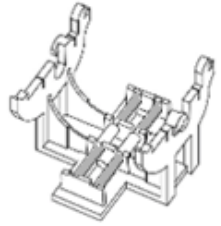
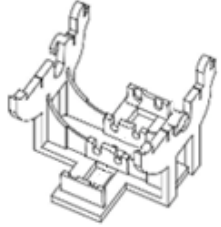
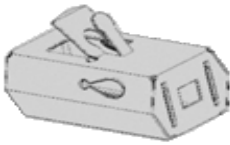
Prices Subject To Change Without Notice

	<p>BR-01</p>	<p>Replacement Balanced Comfort Lift Short Body Brass Roller</p> <p>Length 11.4mm</p>	<p>1,000 BAG</p>
	<p>L-MTD-LT3-2-TW</p>	<p>METAL NEO HEX SHAPE SHORT (30mm) DRUM 2 Prongs + Fish hole on the sides, Hex Center, For ladder tape Only</p> <p>*US Patent No.D568,663S* *China Patent No. 2266345.2*</p>	<p>200 PCS / BAG 800 PCS / BOX</p>
	<p>DRUM-4</p>	<p>PLASTIC HEX SHAPE DRUM - SQUARE CENTER, SHORT BODY (30mm)</p> <ul style="list-style-type: none"> • Use for Cordless <p>Use with Comfort Lift (Cordless) Drum Supports</p> <p>*US Patent No. 7926541B2* *Taiwan Patent No. M425168* *China Patent No. CN202194531U *Canada Patent No 2664603</p>	<p>100 PCS/BAG 2,000 PCS/BOX</p>
	<p>PTRS-BCL-WR</p>	<p>Balanced Comfort Lift (Right) Wide Body for Ladder Tape</p> <p>Use on widths greater than 24"</p> <p>Comes with steel rod & brass roller</p>	<p>100/BAG 1,000/BOX</p>

BALANCED COMFORT LIFT

Oct 17 2023





Prices Subject To Change Without Notice

	<p>PTRS-BCL-WL</p>	<p>Balanced Comfort Lift (Left) Wide Body for Ladder Tape</p> <p>Use on widths greater than 24"</p> <p>Comes with steel rod & brass roller</p>	<p>100/BAG 1,000/BOX</p>
	<p>PTRS-BCL-WD</p>	<p>Balanced Comfort Lift (Double Rod) Wide Body for Ladder Tape</p> <p>Use on widths greater than 24"</p> <p>Comes with two steel rods & brass rollers</p>	<p>100/BAG 1,000/BOX</p>
	<p>PTRS-BCL-WN</p>	<p>Balanced Comfort Lift (No Rod) Wide Body for Ladder Tape</p> <p>Use on widths greater than 24"</p> <p>No rod or brass roller</p>	<p>100/BAG 1,000/BOX</p>
	<p>MTD-LT3-2GAL MTD-LT3-2GAL-TW (Same Drum)</p>	<p>METAL HEX SHAPE LONG (45mm) DRUM (GALVANIZED), SQUARE CENTER</p> <p>2 Prong + Fish hole on the sides For ladder tape</p> <p>*US Patent No. D568,663S* *China Patent No 02266345.2 * *Canada Patent No 2664603*</p>	<p>50 PCS / BAG 500 PCS / BOX</p>

BALANCED COMFORT LIFT

Oct 17 2023


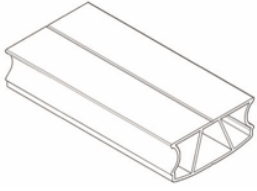
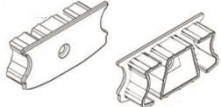

Prices Subject To Change Without Notice

	<p>DRUM-8</p>	<p>PLASTIC OCTAGON SHAPE DRUM – SQUARE CENTER, LONG BODY (45mm)</p> <p>For ladder tape – 2" ,2 1/2, 3" For cloth tape – 1" , 1-1/2"</p> <p>*US Patent No. 7926541B2* *Taiwan Patent No. M425168* *China Patent No. CN202194531U *Canada Patent No 2664603*</p>	<p>100 PCS / BAG 2,000 PCS / BOX</p>
	<p>LSB-1</p>	<p>Replacement Balanced Comfort Lift Wide Body Steel Rod</p> <p>Length 46mm 2.5mm OD</p>	<p>1,000 BAG</p>
	<p>PTRS-BR</p>	<p>Replacement Balanced Comfort Lift Wide Body Brass Roller</p> <p>Length 11.9mm</p>	<p>1,000 BAG</p>
	<p>TR-TM-WGT</p>	<p>5.6mm (0.22") <u>HEX</u> STEEL ROD, 16FT Galvanized</p> <p>Cut to size & used as additional required weight for bottom rail to achieve positional balance</p>	<p>1 PC</p>

BALANCED COMFORT LIFT

Oct 17 2023



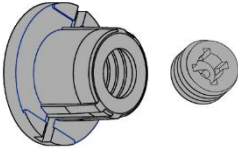
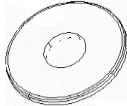
Prices Subject To Change Without Notice

	<p>SCT-6-TENROD -BCAP</p>	<p>CHILD TENSION ROD BOTTOM CAP</p> <p>Plastic Bottom Cap For 6mm Plastic or Aluminum Safety Wand & as caps to cover cuts ends of hex rod</p> <p>Available Colors: Snow White</p>	<p>100PCS/BAG</p>
	<p>*NEW 2022* 2FBC-ELBR-XX</p>	<p>New Elite 2" Bottomrail</p> <p>Hollow Rigid Plastic, 108" long</p> <p>Available colors: (W) White, (MA) Mahogany, (CH) Cherry, (GE) Grey</p>	<p>30 PCS / BOX</p>
	<p>*NEW 2022* 2FBC-ELEC-XX</p>	<p>New Elite 2" Bottomrail End Cap</p> <p>Available colors: (W) White, (MA) Mahogany, (CH) Cherry, (GE) Grey</p>	<p>100 PCS / BAG 500 PCS / BOX</p>
	<p>*NEW 2022* 2FBC-FINESSE2-SW</p>	<p>NEW FINESSE BOTTOMRAIL</p> <p>Aluminum 16 ft</p> <p>Available colors: (SW) Snow White,</p>	<p>20 PCS / BUNDLE</p>

BALANCED COMFORT LIFT

Oct 17 2023

Prices Subject To Change Without Notice

	<p>*NEW 2022* 2FBC-EC-FIN-C</p>	<p>NEW FINESSE BOTTOMRAIL END CAP</p> <p>Available colors: (C) Clear</p>	<p>100 PCS / BAG PCS / BOX</p>
	<p>BP-M-EZ</p>	<p>7mm (9/32") EZ BOTTOM PLUG</p> <p>Available Colors: (X) (M) Milky U.S. # D568083S</p>	<p>500 PCS/BAG</p>
	<p>GEN-BP-ADJ-SW</p>	<p>GENESIS 13mm (1/2") ADJUSTABLE BOTTOM PLUG with REPLACEABLE SCREW PLUG</p> <ul style="list-style-type: none"> • Use for Cordless <p>Fast & easy cord length adjustment Includes Adjuster Plug</p> <p>Available: Snow White only</p>	<p>100 PCS/BAG 2000 PCS/BOX</p>
	<p>WS-1</p>	<p>WASHER #4, ZINC PLATED, FLAT</p>	<p>1000 PCS/BAG</p>

BALANCED COMFORT LIFT

Oct 17 2023

Prices Subject To Change Without Notice

	<p>UN-SB-LOCK</p>	<p>SPRING BOX LOCK</p> <p>Locks down Spring Box in headrail to prevent movement</p>	<p>50 PCS / BAG 1000 PCS / BOX</p>
	<p>UN-SB-PIN</p>	<p>REPLACEMENT TENSION PIN FOR SPRING BOX</p>	<p>100 PC / BAG</p>
	<p>CRS-C1</p>	<p>STEEL CLASP To secure pull cord in bottom plug</p>	<p>1,000 PCS/BAG</p>
	<p>UN-SB-C1-72 UN-SB-C2-72</p>	<p><u>BALANCED COMFORT LIFT</u></p> <p>2-CORD SPRING BOX FOR 72" DROPS (2 Cords Lift) See Spring Box Chart</p> <p>C1-72- For widths 10" to 12" C2-72- For widths 12.125" to 16"</p> <p>For New Custom & Stock Replacement U.S. 10,988,981 B2 Foreign Patent Pending</p>	<p>1 PCS / BAG 50 PCS / BOX</p>

BALANCED COMFORT LIFT

Oct 17 2023

Prices Subject To Change Without Notice

	<p>UN-SB-A3-72</p>	<p><u>BALANCED COMFORT LIFT</u></p> <p>2-CORD SPRING BOX FOR 72" DROPS (2 Cords Lift) See Spring Box Chart</p> <p>A3-72- For widths 16.125" to 20"</p> <p>For New Custom & Stock Replacement U.S. 10,988,981 B2 Foreign Patent Pending</p>	<p>1 PCS / BAG 50 PCS / BOX</p>
	<p>UN-SB-C3-84 UN-SB-C4-84</p>	<p><u>BALANCED COMFORT LIFT</u></p> <p>4- CORD SPRING BOX FOR 72" & 84" DROPS (4 Cords Lift) See Spring Box Chart</p> <p>C3-84- For widths 20.125" to 24" & widths 45.125" to 48" (two bxs) C4- 84-For widths 24.125" to 27" C4- 84-For widths 48.125" to 51" (two bxs) & 51.125" to 54" (two bxs)</p> <p>For New Custom & Stock Replacement U.S. 10,988,981 B2 Foreign Patent Pending</p>	<p>1 PCS / BAG 50 PCS / BOX</p>
	<p>UN-SB-B2-72</p>	<p><u>BALANCED COMFORT LIFT</u></p> <p>4- CORD SPRING BOX FOR 72" & 84" DROPS (4 Cords Lift) See Spring Box Chart</p> <p>B2-72- For widths 30.125" to 33", 33.125" to 36", 72.125" to 75" (two bxs) & 75.125" to 78" (two bxs)</p> <p>For New Custom & Stock Replacement U.S. 10,988,981 B2 Foreign Patent Pending</p>	<p>1 PCS / BAG 50 PCS / BOX</p>

BALANCED COMFORT LIFT

Oct 17 2023


Prices Subject To Change Without Notice

	<p>UN-SB-BC3-84</p>	<p><u>BALANCED COMFORT LIFT</u></p> <p>4- CORD SPRING BOX FOR 72" & 84" DROPS (4 Cords Lift) See Spring Box Chart</p> <p>BC3-84- For widths 42.125" to 45" widths 78.125" to 81" (two bxs)</p> <p>For New Custom & Stock Replacement U.S. 10,988,981 B2 Foreign Patent Pending</p>	<p>1 PCS / BAG 50 PCS / BOX</p>
	<p>UN-SB-BA3-72</p>	<p><u>BALANCED COMFORT LIFT</u></p> <p>4- CORD SPRING BOX FOR 72" & 84" DROPS (4 Cords Lift) See Spring Box Chart</p> <p>BA3-72- For widths 39.125" to 42", 69.125" to 72" (two bxs), 81.125" to 84" (two bxs)</p> <p>For New Custom & Stock Replacement U.S. 10,988,981 B2 Foreign Patent Pending</p>	<p>1 PCS / BAG 50 PCS / BOX</p>
	<p>UN-SB-BC1-72</p>	<p><u>BALANCED COMFORT LIFT</u></p> <p>4- CORD SPRING BOX FOR 72" & 84" DROPS (4 Cords Lift) See Spring Box Chart</p> <p>BC1-72- For widths 27.125" to 30" & 54.125" to 57" (two bxs)</p> <p>For New Custom & Stock Replacement U.S. 10,988,981 B2 Foreign Patent Pending</p>	<p>1 PCS / BAG 50 PCS / BOX</p>

BALANCED COMFORT LIFT

Oct 17 2023

Prices Subject To Change Without Notice

	<p>UN-SB-BC2-72</p>	<p><u>BALANCED COMFORT LIFT</u></p> <p>4- CORD SPRING BOX FOR 72" & 84" DROPS (4 Cords Lift) See Spring Box Chart</p> <p>BC3-72- Widths 36.125" to 39" BC2-72- Widths 57.125" to 60" (two bxs), 60.125" to 63" (two bxs), 63.125" to 66" (two bxs) 66.125" to 69" (two bxs)</p> <p>For New Custom & Stock Replacement U.S. 10,988,981 B2 Foreign Patent Pending</p>	<p>1 PCS / BAG 50 PCS / BOX</p>
---	----------------------------	---	--